

C.I.P.

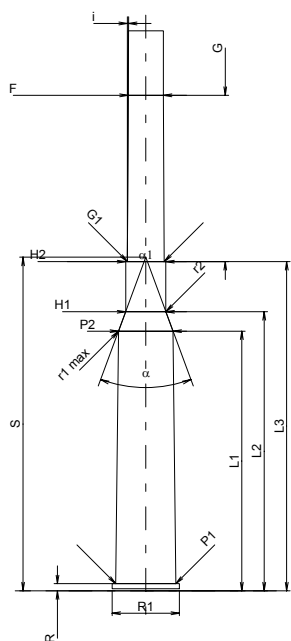
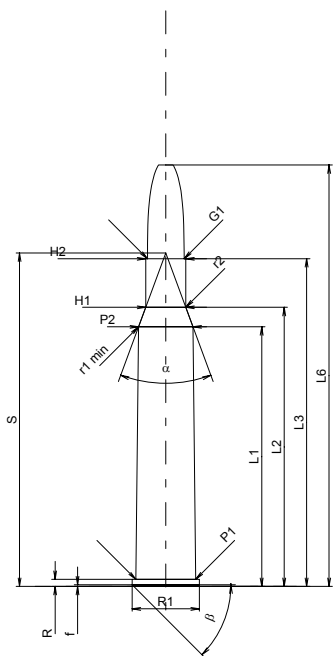
7 x 65 R

Country of Origin: DE

TAB. II

Date 84-06-14

Revision 02-05-15



Scale 1:1.5

CARTRIDGE MAXI

Lengths

L1 *	=	51.50
L2 *	=	55.36
L3 ¹⁾	=	65.00
L4	=	
L5	=	
L6	=	83.60

Case Head

R ¹⁾	=	1.40	-0.25
R1	=	13.32	
R3	=		
E	=		
E1	=		
e min	=		
delta	=		
f	=	0.30	
beta	=	45°	

Powder Chamber

P1	=	11.89
P2 *	=	10.80

Junction Cone

alpha	=	40°31'32"
S	=	66.13
r1 min	=	0.50
r2	=	0.50

Collar

H1 *	=	7.95
H2 ¹⁾	=	7.95

Projectile

G1 ¹⁾	=	7.25
G2	=	
F	=	
L3+G ¹⁾	=	98.00

Pressures (Energies)

Method Transducer

Pmax	=	3800 bar
PK	=	4370 bar
PE	=	4750 bar
M	=	25.00
EE	=	4170 Joule

Miscellaneous Dimensions

Fe ¹⁾	=	0.15
delta L	=	

CHAMBER MINI

Lengths

L1 *	=	51.50
L2 *	=	55.36
L3 ¹⁾	=	65.30

Breech

R ¹⁾	=	1.40
R1	=	13.37
R2	=	
R3	=	
r	=	

Powder Chamber

E	=	
P1 ¹⁾	=	11.92
P2 *	=	10.83

Junction Cone

alpha	=	40°31'33"
S	=	66.17
r1 max	=	0.50
r2	=	0.50

Collar

H1 *	=	7.98
H2 ¹⁾	=	7.97

Commencement of Rifling

G1 ¹⁾ *	=	7.31
G ¹⁾ *	=	33.00
alpha1	=	180°
h	=	
s	=	
i ¹⁾	=	0°17'11"
w	=	

Barrel

F ¹⁾ *	=	6.98
Z ¹⁾	=	7.24

Grooves

b	=	3.70
N	=	4
u	=	220.00
Q	=	40.29 mm ²

Dimensions in << mm >>
Dimensions and Tolerances for Proof Barrels
see Appendix CR 1.

Notes: 1) Check for safety reasons
* Basic dimensions